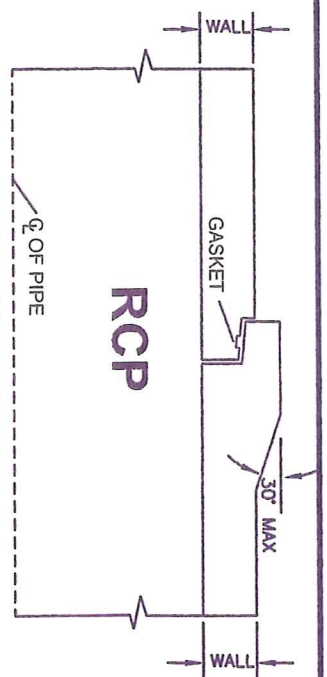
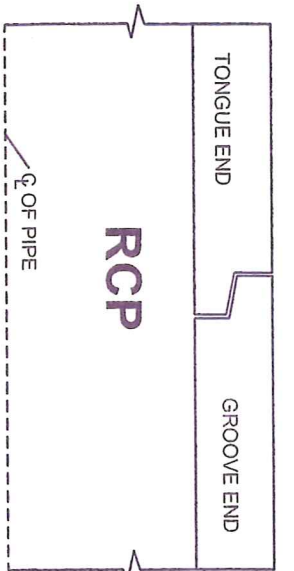


STORM SEWER REPAIRS

(WITHIN CITY RIGHT-OF-WAY)

NOTE:
 STORM SEWER PIPING SHALL BE PROTECTED DURING EXCAVATION OPERATIONS. IF THE STORM SEWER SYSTEM IS DAMAGED, IT SHALL BE REPAIRED OR REPLACED WITH THE APPROVED TYPE OF PIPING. STORM SEWER REPAIRS TO THE EXISTING PIPING SYSTEM SHALL BE TO THE NEXT JOINT AND SHALL MATCH EXISTING SIZE AND TYPE (RCP SHALL BE EITHER MN/DOT DESIGN 3000 OR 3006 RCP PIPING) UNLESS OTHERWISE APPROVED BY THE ENGINEERING OFFICE. PVC PIPING WITH FERRACO BOOTS WILL NOT BE APPROVED. THE REPLACED PIPING SHALL BE GROUDED INTO THE ADJACENT MANHOLE OR CATCHBASIN INLET.

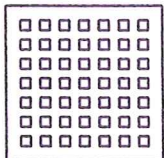


- NOTES:**
1. REINFORCEMENT NOT SHOWN
 2. THERE SHALL BE 18" OPENINGS IN CONCRETE BARREL
 3. TYPE "D" CASTING ASSEMBLY TO BE USED IN B-624 CURB & GUTTER
 4. TYPE "C" CASTING ASSEMBLY TO BE USED IN TYPE "C" MOUNTABLE CURB & GUTTER, REAR YARD INLET AND STREET DRAINAGE SYSTEM

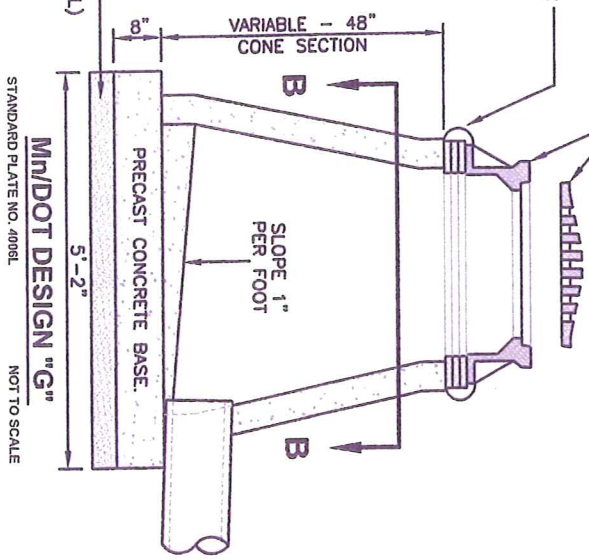
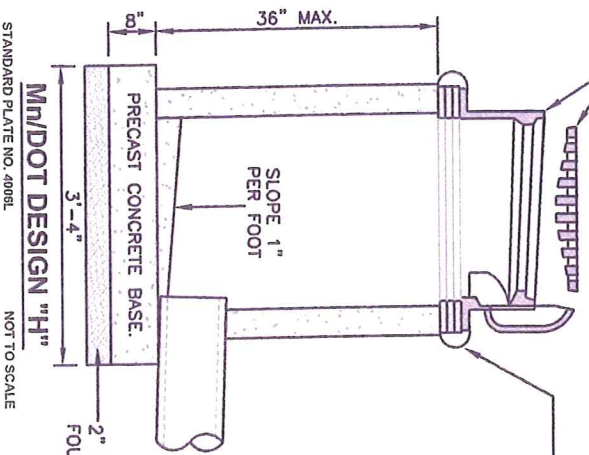
TYPE "D" CASTING ASSEMBLY
 GRATE FAME Mn/DOT 801
 GRATE Mn/DOT 810
 CURB BOX Mn/DOT 821



TYPE "C" CASTING ASSEMBLY
 NEENAH CASTING ASSEMBLY
 R5405 OR APPROVED EQUAL



TYPE "B" CASTING ASSEMBLY
 RING Mn/DOT 700-7
 GRATE Mn/DOT 720



MINIMUM STANDARDS FOR STORM SEWER REPAIRS